

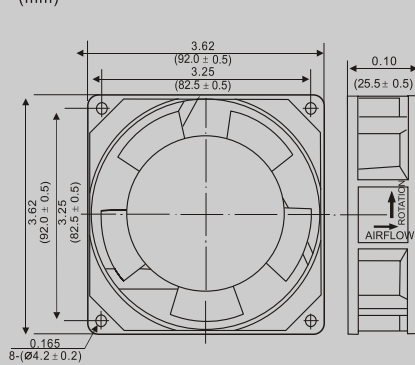
BF9225(92X92X25mm)

General Specifications

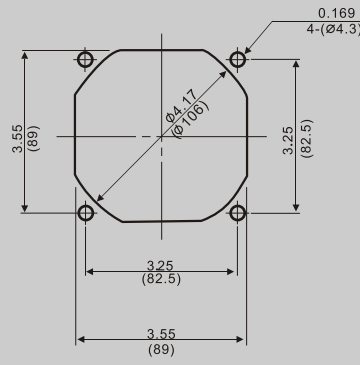
- ◆ **Motor Type:** Shaded Pole Induction Motor
- ◆ **Motor Protection:** Impedance Protect
- ◆ **Insulation Resistance:** 100M Ω min. with a DC500V Megger
- ◆ **Dielectric Withstand Voltage:** AC 1800V 3s
- ◆ **Allowable Ambient Temp Range:**
 (non-condensing environment)
 Operating: -10°C ~ +70°C
 Storage: -40°C ~ +70°C



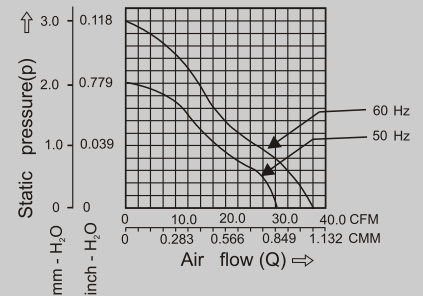
Units: Inch
(mm)



Dimensions (mm)



Panel Out-cuts



Characteristic Curves

Materials

- ◆ Casing: Aluminum Alloy
- ◆ Impeller: Plastic(Black)94V-0
- ◆ Bearing: Ball Bearings
- ◆ Lead Wire: AWG22, UL3266, CSA CL1252

Specifications

Model	Rated Voltage	Freq	Current	Input Power	Speed	Air Flow		Static Pressure	Noise Level	Weight
	(V)	(Hz)	(A)	(W)	(RPM)	(CFM)	(m ³ /min)	(Inch-H ₂ O)	(dBA)	(g)
BF9225BH	110/120	50/60	0.12/0.11	13/11	2550/2900	30/37	0.52/0.62	0.08/0.12	32/37	290
BF9225BH	220/240	50/60	0.07/0.06	14/12	2550/2900	30/37	0.52/0.62	0.08/0.12	32/37	290